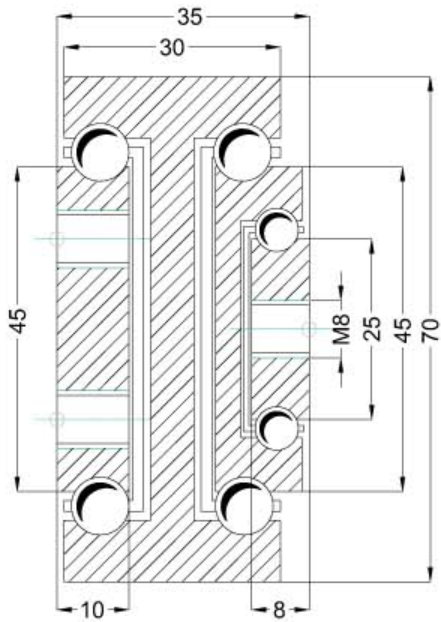


**TELESCOPIC SLIDE**

**TYPE - QSRT**



Options:  
Various dimensions of the main profile, optional slide lengths, extensions, drillings, diameters and hole centers to customer's requirement.

**!** WE RECOMMEND USE ON THE MAJOR AXIS  
DO NOT DISMANTLE THE SLIDE!!!

Type: QSRT-70			Part No. QSRT7035 ...			
Part No.	Installation Length L (mm)	Extension Length D (mm)	* Load per pair (kg)	DRILLING TABLE		
				Dimension A	Dimension B	Dimension C
QSRT7035.040	400	600	270	50	---	200
QSRT7035.045	450	675	265	50	---	250
QSRT7035.050	500	750	260	50	---	300
QSRT7035.055	550	825	255	50	150	---
QSRT7035.060	600	900	250	50	175	---
QSRT7035.065	650	975	245	50	200	---
QSRT7035.070	700	1050	240	50	225	---
QSRT7035.075	750	1125	235	50	250	---
QSRT7035.080	800	1200	230	50	275	---
QSRT7035.085	850	1275	225	50	300	---
QSRT7035.090	900	1350	220	50	325	---
QSRT7035.095	950	1425	210	50	350	---
QSRT7035.100	1000	1500	200	50	375	---
QSRT7035.105	1050	1575	190	50	400	---
QSRT7035.110	1100	1650	180	50	425	---
QSRT7035.115	1150	1725	170	50	450	---
QSRT7035.120	1200	1800	160	50	475	---

\* The maximum safe load is given for a fully extended pair of slides, mounted on the major axis, with a load spread uniformly along the inner beam